

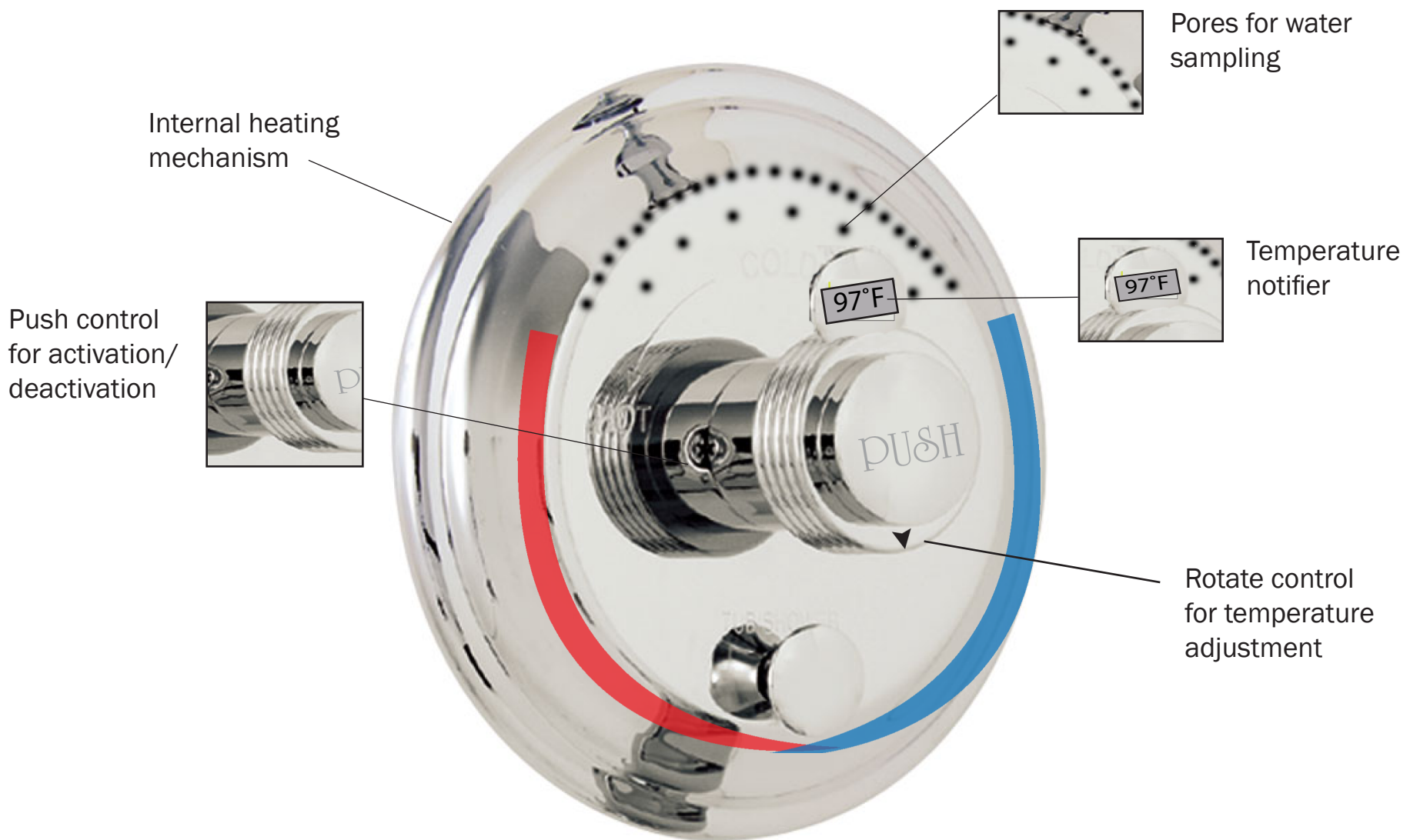
# ShowerSafe

## Problem

Everytime I take a shower I have no idea what the temperature of the water is going to be. I end up getting scalded or frozen all the time! To top it all, I always get confused which way to turn my shower knobs to escape this ordeal.



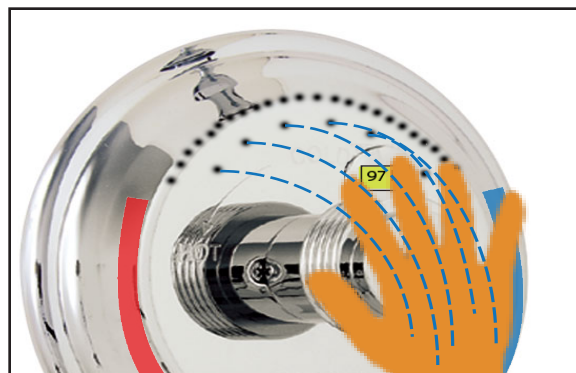
## Solution



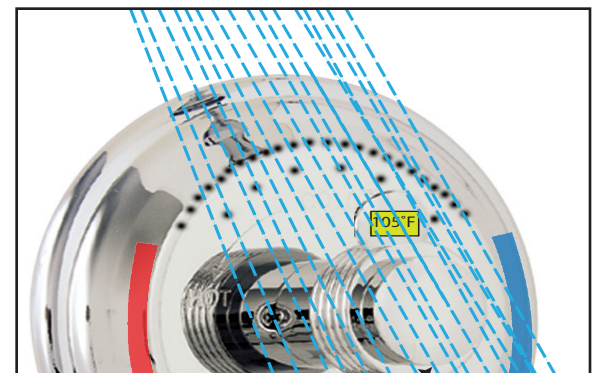
## Directions



Temperature may be viewed and adjusted before starting the shower by rotating the knob



Start pushing to feel the water  
Temperature may be adjusted and viewed simultaneously while pushing



Shower starts and samplers stop when the knob is fully pressed.  
Push again to stop shower